



Weatherstrip

Automatic Door Bottoms

Guaranteed quality since 1918

330 – Sponge Neoprene Insert



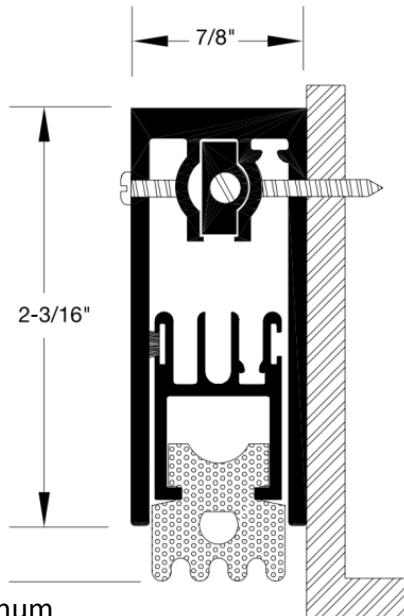
Min. size 24"
 Max. size 48"
 Max. drop 3/4"

Can be cut to exact size.

36", 42" and 48" can be trimmed up to 3". Other sizes up to 1".

Finishes:

- C - Clear Anodized Aluminum
- D - Dark Bronze Anodized Aluminum
- G - Gold Anodized Aluminum



| |
|----------------------|
| Job: |
| Prepared For: |
| Prepared By: |
| Date: |
| Remarks: |

Note: Door bottoms are not designed to seal directly on carpet. For best results door bottoms should seal on a solid surface. The solid surface should be positioned above the level of the floor covering on either side of the door. Door bottoms are field reversible and can be used in semi-mortised applications.